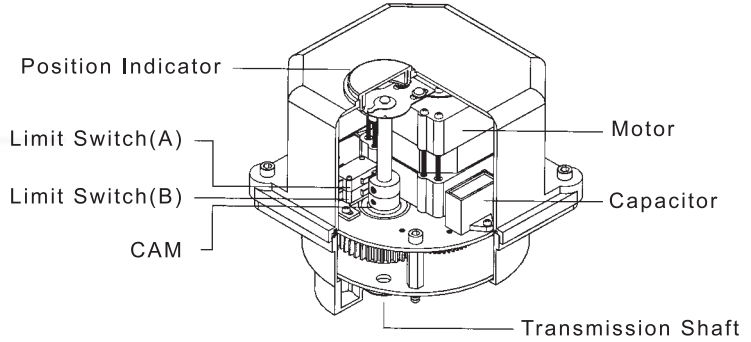


## UM-3 Direct Mount Series

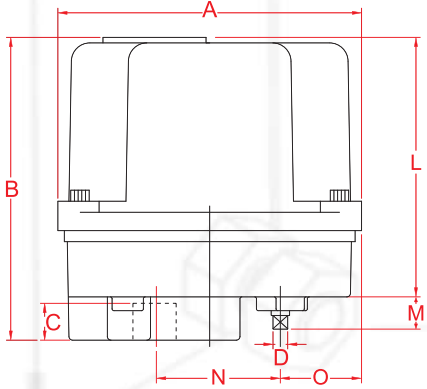


Weight : 4.2 kg

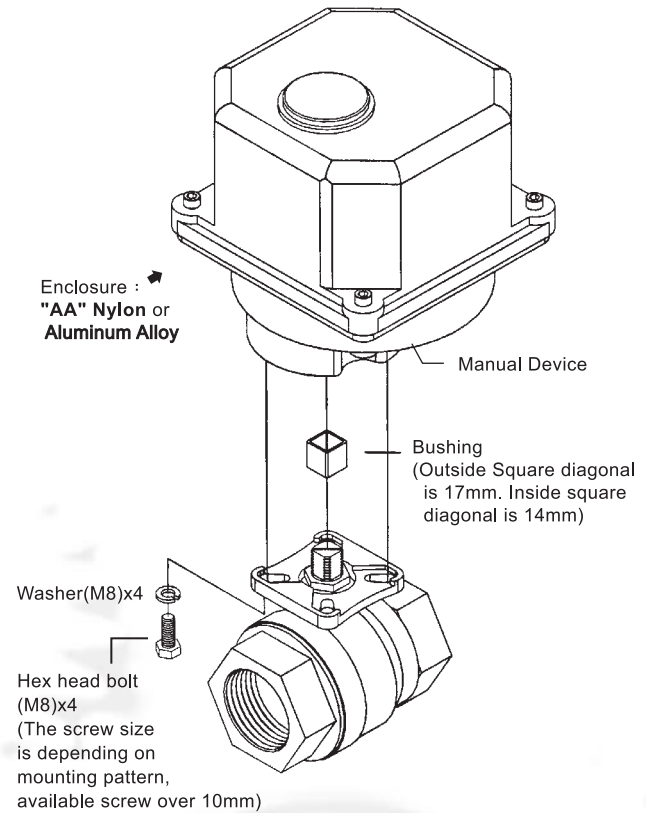
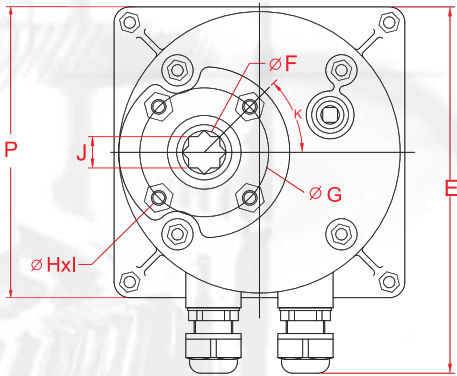


Power	Specification			Speed(sec)		Output Torque Kgf-cm		
	110VAC	220VAC	24VDC	AC	DC	110VAC	220VAC	24VDC
25W	0.76A	0.42A	N/A	1	N/A	294	350	N/A
				8		1486	1562	
30W	N/A		0.5A	N/A	1	N/A		506
					8			1660

The Size Of Valve			
Screwed Ends	Flanged Ends	Butterfly Valve	3-Way Valve
1 1/4" ~ 3"	1 1/4" ~ 3"	2" ~ 4"	2 1/2"



\*The UM-3/24VDC is over standard height 26mm.



Dimension (mm)	A	B	C	D	E	F	G	H	I	J	K	L	M	N	O	P	ISO 5211	
Model	UM-3	165	165	20	8	200	23.5	70	M8	M6	17	45°	141	17.3	68.39	44.2	165	F07